

Apricus Pump Station Kit

AP-PS-KIT

Apricus' Pump Station is the heart of your system. It is the ease of installation and minimalistic aesthetics that enables seamless integration in any location.

The pump station housing is primarily made up of the Lid and the Base plate. The Lid refers to the front of the Pump Station Kit with the Apricus logo. The Base plate refers to the back of the Pump Station Kit that the controller and pump are mounted onto.

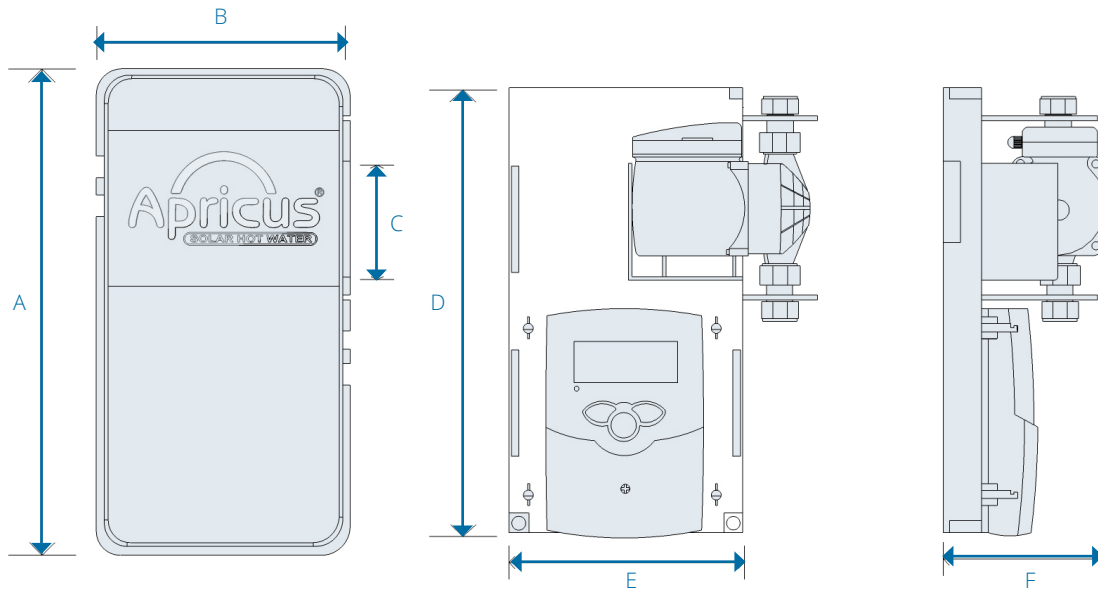


Figure 1:
Apricus Pump Station Kit

Inclusions of the Pump Station Kit

PART NAME	QUANTITY
Pump station housing Lid	1
Pump station housing Base	1
Pump station kit booklet (A5)	1
Installation Manual for DSHW Systems (A4/A5)	1
Valve kit	1
Controller	1
Pump	1

Physical Dimensions of the Pump Station Kit (see Figure 1)

DESCRIPTIONS	LABEL	MEASUREMENTS (mm)
Lid Height	A	398
Lid Width	B	178
Lid Pump Slot Height	C	96
Base Plate Height	D	350
Base Plate Width	E	160
Depth	F	150

Valve Kit

The Pump Station Valve Kit contains valves to assist the installer with the plumbing of the Apricus domestic solar hot water system.

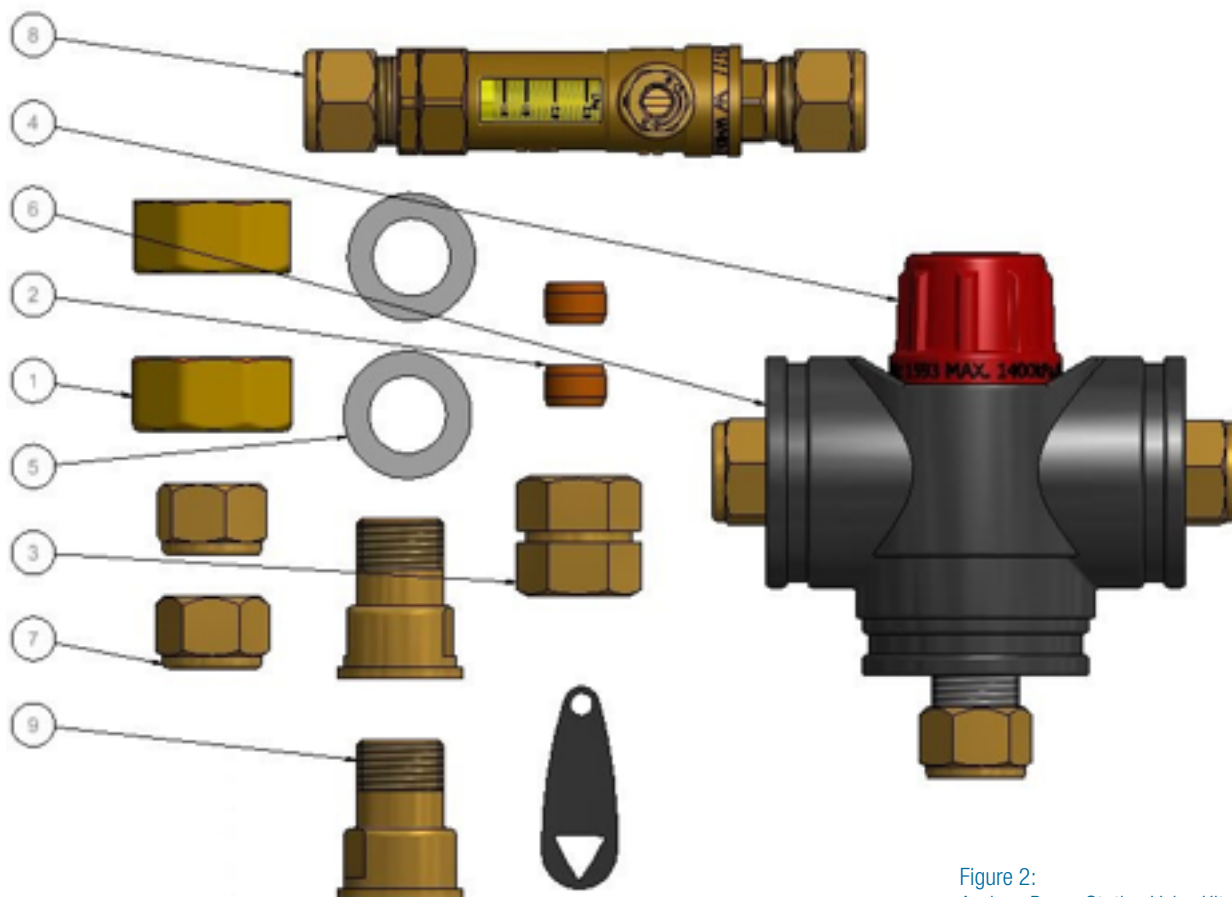


Figure 2:
Apricus Pump Station Valve Kit

Physical Dimensions of the Pump Station Kit (see Figure 2)

PART NAME	DESCRIPTION	REFERENCE NUMBER	QUANTITY
Union nut	1" BSP machined	1	2
Olive	Copper ½"	2	2
F socket	½"	3	1
Tempering valve assembly Solar	DN15	4	1
Face Seal	1" EPDM	5	2
Mix Valve Insulation	-	6	1
Kinco Nut	G ½"	7	2
Solar balancing valve	-	8	1
Adaptor Union	1x ½" olive	9	2

Solar Controller

The Apricus solar controller measures the difference in temperature between the collectors and the storage tank. It maintains optimum temperatures for domestic hot water by controlling the solar pump. It also incorporates freeze protection for the collectors in colder climates.



Figure 3:
Apricus Solar Controller

Physical Dimensions of the Circulation Pump (see Figure 3)

DESCRIPTIONS	LABEL	MEASUREMENTS (mm)
Height	A	172
Width	B	110
Depth	C	47

Inclusions of the Controller

PART NAME	DESCRIPTION	QUANTITY
Temperature Sensor	S1 = the collector temperature S2 = the bottom tank temperature S3 = the top tank temperature	3
Relay Contacts	For control of solar pump	1

Specifications of the Controller

PART NAME	DESCRIPTION
Controller Model	Apricus-Resol DeltaSol BS/4 V2
Model Number	RE-DS4-V2
Power Consumption	<1 W
Power Supply	100-240V ~ 50-60Hz
Fuse	4A

Solar Circulation Pump

The three-speed low power solar pump circulates water between the solar collectors and the storage tank. It extracts the solar energy captured by the collectors and transfers it in to the storage tank for domestic sanitary use.

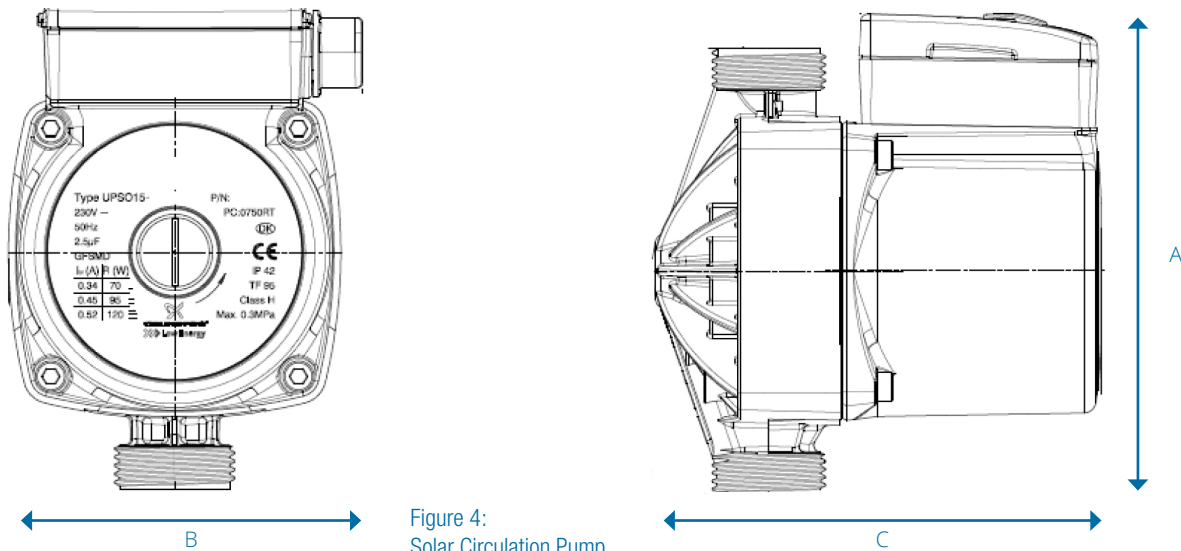


Figure 4: Solar Circulation Pump

Physical Dimensions of the Circulation Pump (see Figure 4)

DESCRIPTIONS	LABEL	MEASUREMENTS (mm)
Height	A	140
Width	B	97
Depth	C	131

Specifications of the Controller

PART NAME	DESCRIPTION
Pump Model	Grundfos 15-20CIL2
Model Number	GR15-20-CIL-KIT (pump & pump unions)
Power Consumption	< 30W
Power Supply	240V~ 50-60Hz
Flow Curve	See Figure 5

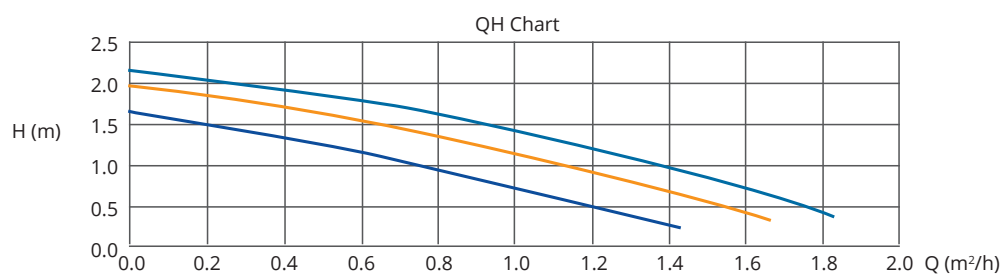


Figure 5: Grundfos 15-20GL2 Flow Curve

CONTACT US TODAY

For more details please contact your Relationship Manager or call Apricus on **1300 277 428**.